

Turnout®

A manual swivel base that rotates the car seat towards the door opening.



Turnout 2



The Turnout is a swivel base designed for those who find it difficult to enter a vehicle or make a transfer from the wheelchair. Installed as a layer between the vehicle's floor and the car seat the Turnout enables the car seat to be rotated facing outwards. An added bonus is that the rotated seat will be a little bit further out, in other words closer to the user.

This is our most economical manual swivel base. It is suitable for both drivers and passengers. It's available for 2-door or 4-door vehicles.

The Turnout BIS B-Max is a complete solution for the Ford B-Max. The kit includes the Turnout swivel base, vehicle specific mounting bracket and a seat with integrated belt. The kit has passed both crash and pull tests.

Quick facts

- Entry-level swivel seat
- Manual swivel
- Adds minimal height to the seat
- Low weight

To guarantee your safety Autoadapt products are designed and tested according to current directives and standards.



Vehicle specific mounting brackets available
dealerweb.autoadapt.com

SEAT COMPATIBILITY				
BEV	BEV KIDS	COMPACT	RECARO	GS
✓4	✓4	✓4	✓4	✓1+4

1. requires adapter plate 4. requires Slide rails

CARONY COMPATIBILITY			ACCESSORIES COMPATIBILITY		
CARONY	CARONY CLASSIC	CARONY GO	TILDA TILT	CARO-SLIDE	SLIDE RAILS
✗	✓2	✓2	✓	✓	✓

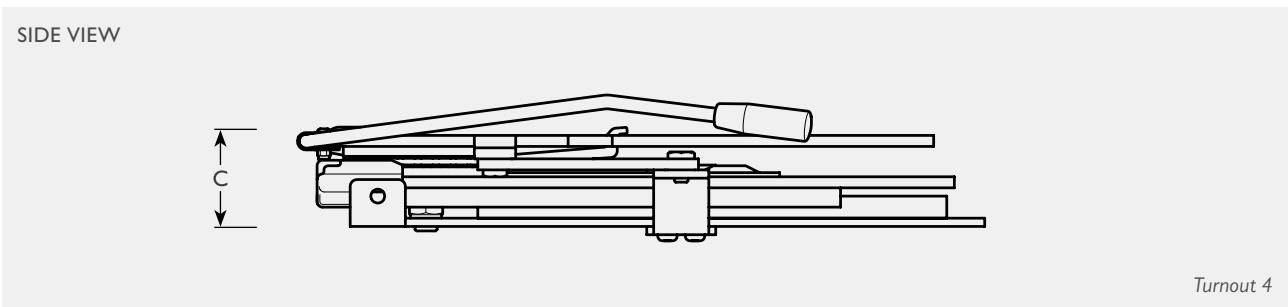
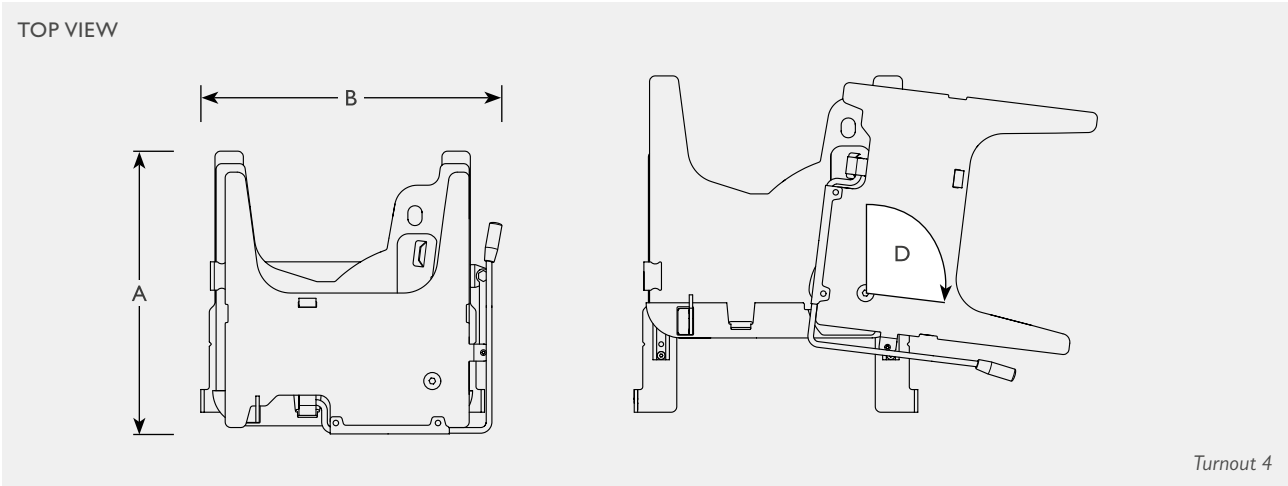
2. requires Carony rails



Turnout®

Dimensions and models

Requires a mounting bracket (Dealerweb) and Slide Rails (100505) for installation.
Recommended accessories: Tilda, Caroslide



Turnout		Installation in vehicle	Vehicle type	Length	Width	Height	Swivel range	Lengthwise movement	Vertical travel	Weight capacity	Unit weight
				A	B	C	D	E	F		
102597	Turnout 2	right	2 door	49	45	5.8/7.1**	0-97°	n/a*	n/a	180	21
102598	Turnout 2	left	2 door	49	45	5.8/7.1**	0-97°	n/a*	n/a	180	21
102599	Turnout 4	right	4 door	49	45	7.9	0-97°	n/a*	n/a	180	21
102600	Turnout 4	left	4 door	49	45	7.9	0-97°	n/a*	n/a	180	21
101844	Universal mounting bracket***										
101685	Open slewing bracket for 4										
103000	Turnout BIS, Ford B-Max	right	4 door	49	45	7.9	0-97°	n/a*	n/a	180	21
103001	Turnout BIS, Ford B-Max	left	4 door	49	45	7.9	0-97°	n/a*	n/a	180	21

All weights and dimensions are given in kilograms and centimetres, and for reference only. Weight capacity refers to the total weight of the seat, accessories and user.
*Use Caroslide (101864) to add electric lengthwise movement. **Height depends on how you mount the included spacer.
***Check Dealerweb for vehicle specific mounting brackets before ordering the universal mounting bracket